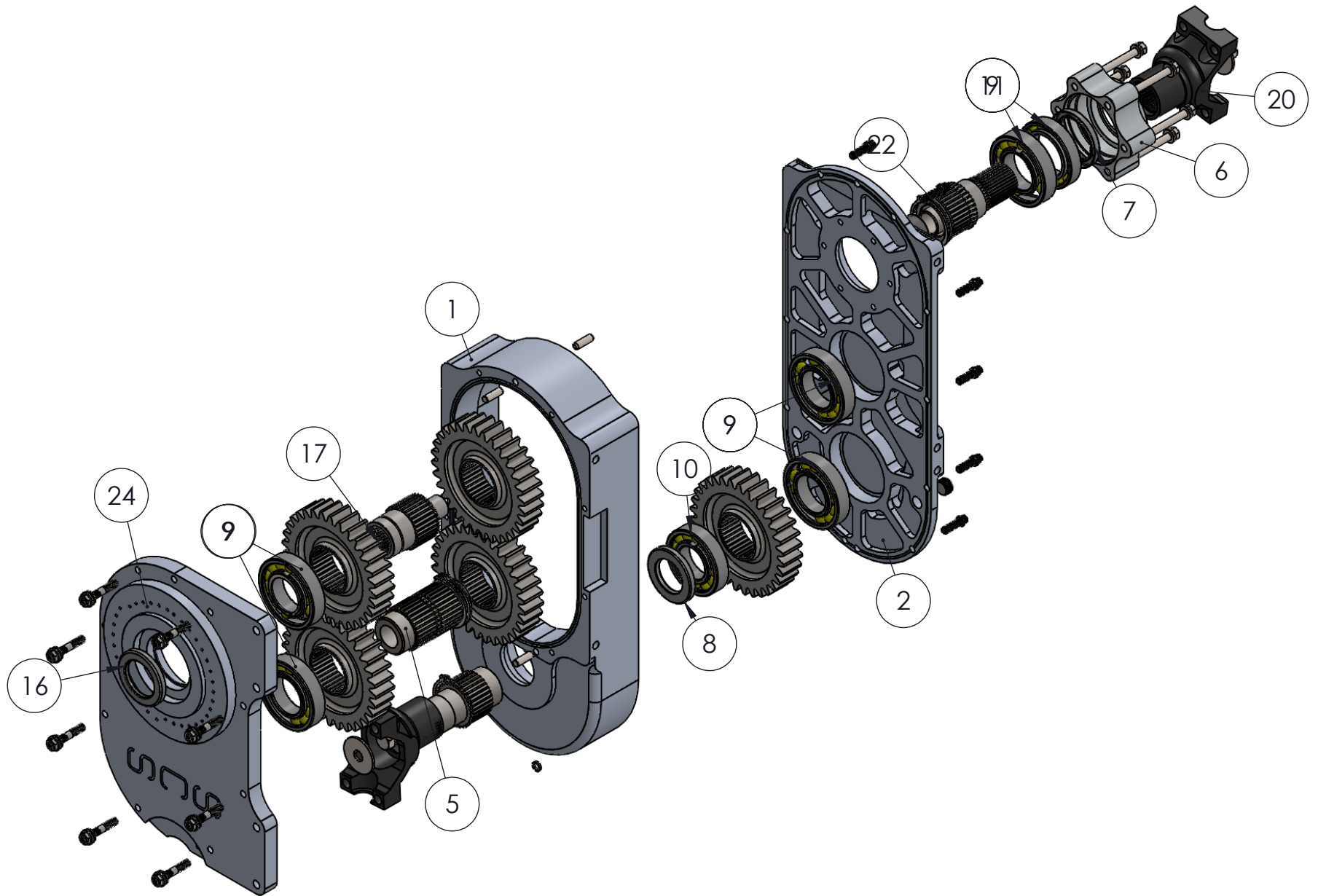


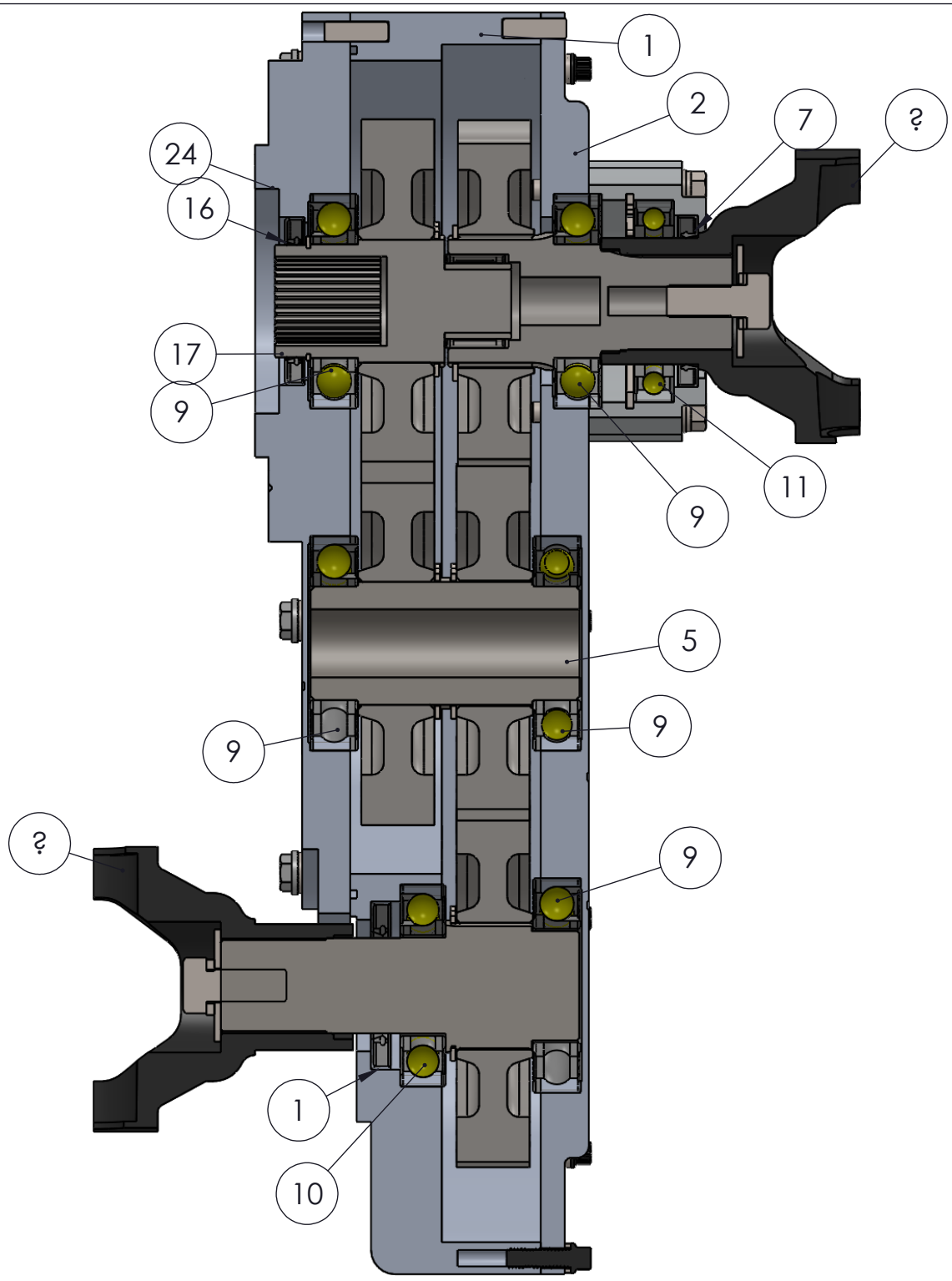
REVISIONS				
ZONE	REV	DESCRIPTION	DATE	APPROVED



TOLERANCES:
 X.XX ± .015
 X.XXX ± .005
 X.XXXX ± .0005

739 West Main St. Bellevue, OH. 44811		Straight Thru T. Case Turbo 400 Conversion	
		The Information contained in this Drawing is confidential and trade secret to SCS Gearbox, and is not to be disclosed without release from the V.P. of Engineering	
SIZE	Material:	Heat Treat:	REV
SCALE			SHEET

REVISIONS				
ZONE	REV	DESCRIPTION	DATE	APPROVED



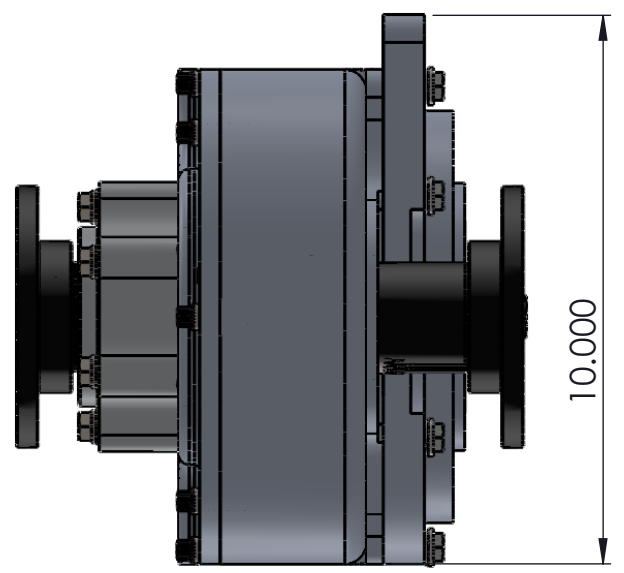
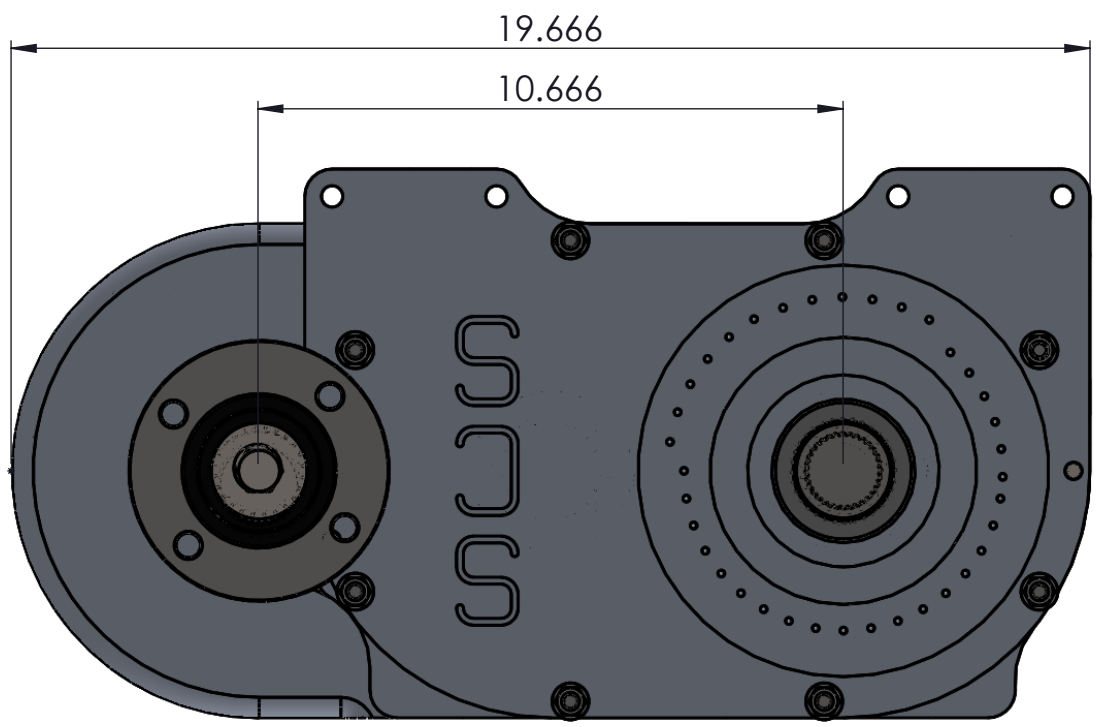
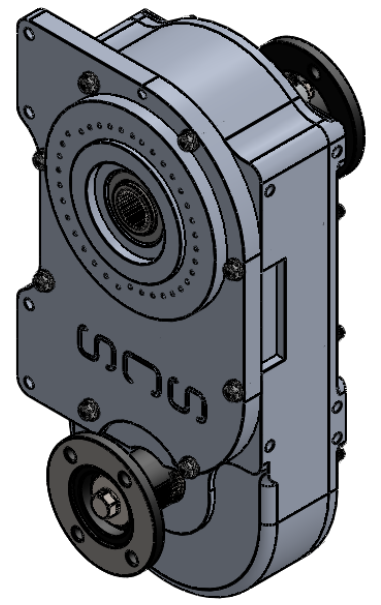
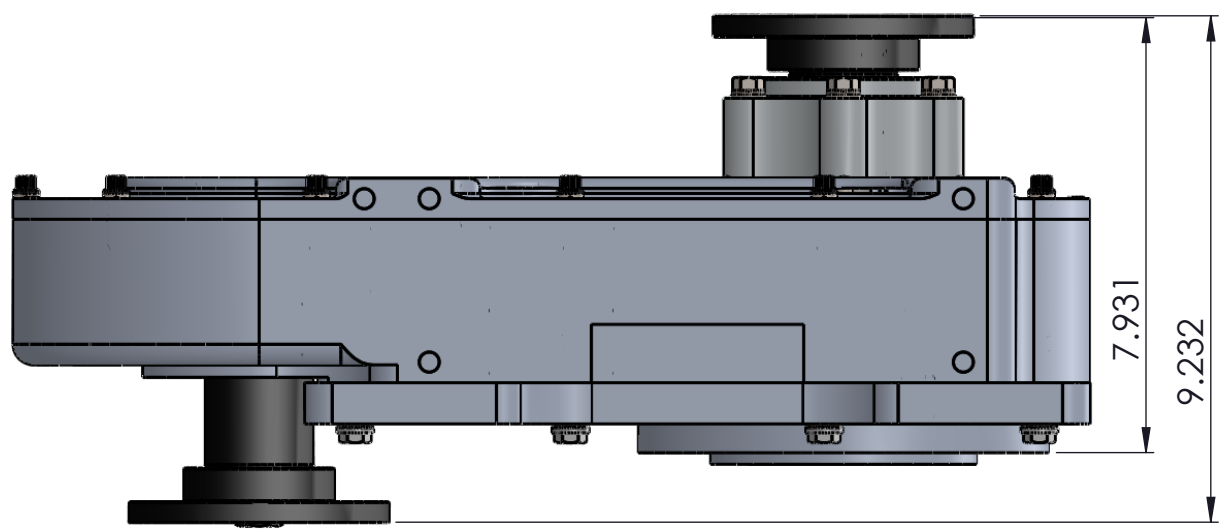
ITEM NO.	PART NUMBER	Turbo 400 Conversion/QTY.
1	Straight thru Housing V2	1
2	Straight thru Housing Cover	1
3	206 Snap Ring	5
4	175 Snap Ring	1
5	Counter Shaft	1
6	Support Housing	1
7	CR_19611	1
8	15699	1
9	209 C3 Ball	5
10	208	1
11	6010	1
12	32 Tooth Gear 1.000	5
13	5/16 FLAT WASHER	14
14	1/2 X 2.125 FLAT WASHER	2
15	5/16 X 1.000 DOWEL	4
16	CR_17448	1
17	Input Shaft	1
18	Front Output Shaft 35 Spline	1
19	Output Shaft 35 Spline	1
20	Strange Yoke 1480 Series 35 spline	2
21	INA HK3024-2RS NEEDLE BEARING	1
22	INA 25X30X265 RACE	1
23	.3125 Stud x 1.75	8
24	Turbo 400 Case Cover	1
25	.312-18 X 1.000 12 Point Cap Screw	11
26	.375in Pipe Plug	2
27	5/16 Hi Collar Lock Washer	11
28	.312-24 Whiz Nut	11
29	5/16 LOCKWASHER	6
30	5/16-18 X 2.25 Hi Collar Lock Washer	6
31	1/2 LOCKWASHER	2
32	1/2-20 X 1.25 HEX BOLT	2



Straight Thru T. Case Turbo 400 Conversion

The Information contained in this Drawing is confidential and trade secret of SCS Gearbox and is not to be disclosed without the written consent of SCS Gearbox.			
Material:	Heat Treat:	REV	
SIZE			
SCALE			SHEET

ZONE		REV	DESCRIPTION	REVISIONS	DATE	APPROVED



Straight Thru T. Case Turbo 400 Conversion

The Information contained in this Drawing is confidential and trade secret to SCS Gearbox, and is not to be disclosed without release from the V.P. of Engineering.

TOLERANCES:
 X.XX ± .015
 X.XXX ± .005
 X.XXXX ± .0005

739 West Main St.
 Bellevue, OH. 44811

SIZE	Material:	Heat Treat:	REV
SCALE			SHEET